

EQUIPMENT LIST

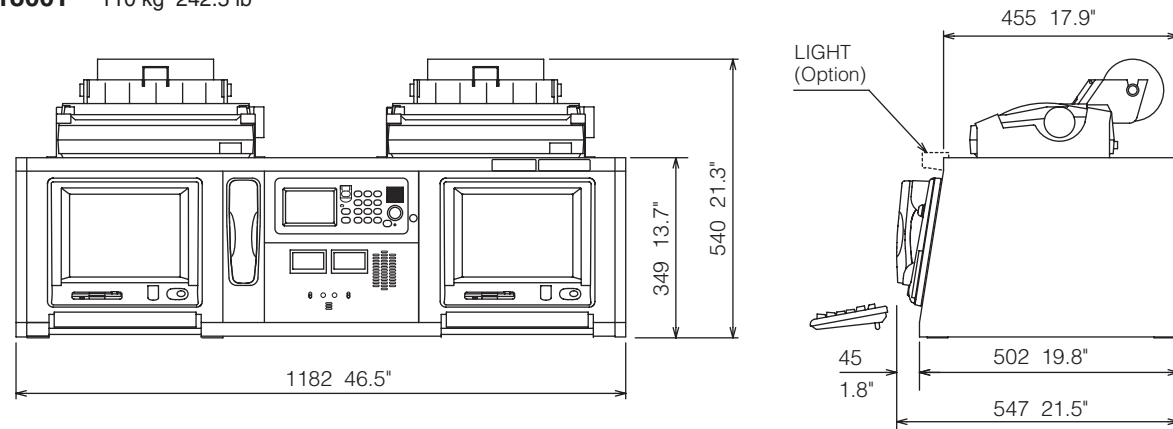
Radio Console RC-1800T includes:

- ▶ Inmarsat-C MES **FELCOM 15** 1 set
- ▶ MF/HF Radiotelephone
FS-1570 (150 W) or **FS-2570** (250 W) 1 set
- ▶ NBDP Terminal Unit **IB-583** 1 set
- ▶ Printer **PP-510** 2 sets

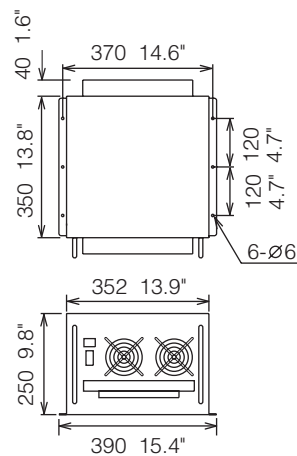
Optional Supply

- ▶ Power Supply Units with AC-DC changeover facility
PR-300 (20 A) and PR-850A (60 A)
- ▶ Battery Charger BC-6158, Output: 24 VDC, 30 AH,
Input: 115/230 VAC, 1Ø, 50/60 Hz, 2.2 kVA max
- ▶ Whip Antenna

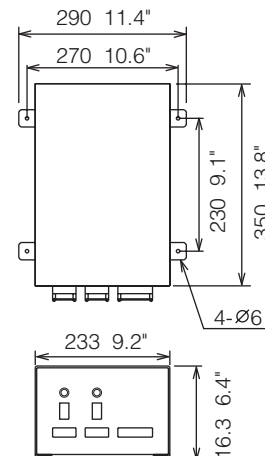
RC-1800T 110 kg 242.5 lb



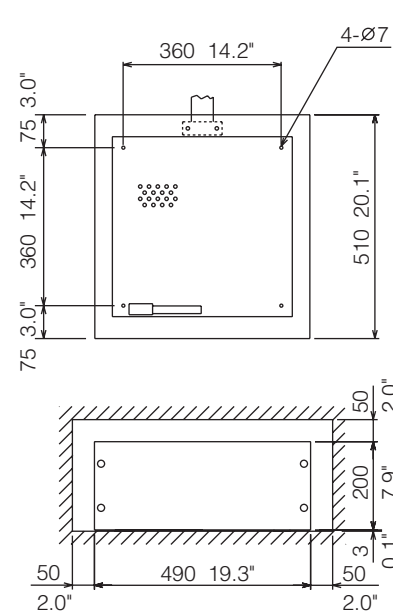
PR-850A 35 kg 77.2 lb



PR-300 14.5 kg 32.0 lb

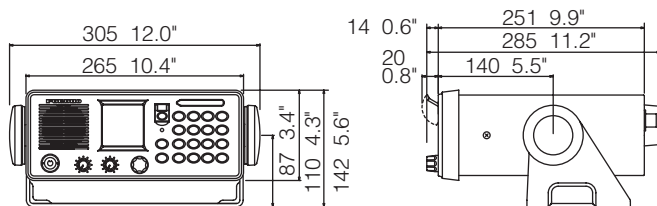


BC-6158 28 kg 61.7 lb



FM-8800S 5.5 kg 12.1 lb

FM-8800D 6.4 kg 12.6 lb



GMDSS

Global Maritime Distress and Safety System

A1-2-3 Radio Package

RC-1800T



FURUNODEEPSEA.com

TRADEMARK REGISTERED MARCA REGISTRADA
SPECIFICATIONS SUBJECT TO CHANGE WITHOUT NOTICE

FURUNO ELECTRIC CO., LTD.
Nishinomiya, Hyogo, Japan
Phone: +81 (0)798 65-2111
Fax: +81 (0)798 65-4200, 66-4622

FURUNO U.S.A., INC.
Camas, Washington, U.S.A.
Phone: +1 360-834-9300
Fax: +1 360-834-9400

FURUNO (UK) LIMITED
Havant, Hampshire, U.K.
Phone: +44 23 9244 1000
Fax: +44 23 9248 4316

FURUNO FRANCE S.A.
Bordeaux-Mérignac, France
Phone: +33 5 56 13 48 00
Fax: +33 5 56 13 48 01

FURUNO ESPAÑA S.A.
Madrid, Spain
Phone: +34 91-725-90-88
Fax: +34 91-725-98-97

FURUNO DANMARK AS
Hvidovre, Denmark
Phone: +45 36 77 45 00
Fax: +45 36 77 45 01

FURUNO NORGE A/S
Ålesund, Norway
Phone: +47 70 102950
Fax: +47 70 102951

FURUNO SVERIGE AB
Västra Frölunda, Sweden
Phone: +46 31-7098940
Fax: +46 31-497093

FURUNO FINLAND OY
Espoo, Finland
Phone: +358 9 4355 670
Fax: +358 9 4355 6710

FURUNO POLSKA Sp. z o.o.
Gdynia, Poland
Phone: +48 58 669 02 20
Fax: +48 58 669 02 21

FURUNO DEUTSCHLAND GmbH
Rellingen, Germany
Phone: +49 4101 838 0
Fax: +49 4101 838 111

LLC "FURUNO EURUS"
St. Petersburg, Russian Federation
Phone: +7 812 767 15 92
Fax: +7 812 766 55 52



07103U Printed in Japan
Catalogue No. W-3246d

Quality radio communications in a single integrated unit. For GMDSS sea areas A1-2-3

- ▶ Space-saving installation
- ▶ All radios incorporated comply with relevant IMO/SOLAS and ITU regulations, ETS and IEC standards
- ▶ Simple and reliable distress operation with protection from false alert
- ▶ Pre-wiring console minimizes installation time on existing vessels and new builds



This radio package contains all the necessary radio equipment for ships operating in the GMDSS sea areas A2-3. The package provides an easy-to-operate configuration, with minimal installation time for retrofitting an existing ship or new builds. Each unit is prewired in the rack to help reduce installation time. All equipment in the package is type approved to the latest IMO, ITU, IEC and ETS standards.

The MF/HF Radiotelephone is available in transmitter powers of 150 and 250 watts. DSC messages are displayed on the 120 x 64 dots LCD screen of the radiotelephone. The VHF radiotelephone FM-8800S/D, which contains a digital selective calling (DSC) and DSC watch keeping facility, can be installed in the front of the navigation bridge. It works on all simplex and semi-duplex VHF channels. The FM-8800S/D can be simply connected with a Voyage Data Recorder.



VHF Radiotelephone FM-8800S/D

The FURUNO FM-8800S is a cost-effective all-in-one marine VHF radio system consisting of a simplex/semiduplex 25 W VHF Radiotelephone, a DSC Modem and a CH 70 Watch Receiver. It complies with GMDSS carriage requirements for safety and general communications. For those needing full-duplex VHF communication, FM-8800D is a best choice.

INTERCONNECTION DIAGRAM

