

SPECIFICATIONS OF FCV-585

FURUNO®

FURUNO®

GENERAL

Frequency 50 and 200 kHz
 Output Power 600 W/1 kW* via transducer selection
 *Matching Box MB-1100 required with some transducers

DISPLAY

Display Type 8.4" color LCD
 Effective Display Area 128.2 (W) x 170.9 (H) mm
 Pixel Number 480 x 640
 Display Mode Single frequency (high/low freq.), Dual-frequency, Zoom, Nav data-1/2, A-scope, Marker zoom, Bottom zoom, Bottom-lock

Basic Range* 2-800 m
 *m, ft, fa, p/b is selectable in the menu

Range Phasing up to 800 m
 Expansion Range 2-800 m (Sectional expansion)
 3-10 m (Bottom-lock expansion)

Picture Advance Speed 8 steps: stop, 1/16, 1/8, 1/4, 1/2, 1/1, 2/1, 4/1

Pulselength & PRR 0.1-3 ms, Max 3,000 pulse/min

Interface (IEC61162, NMEA0183) RMA, RMB, RMC, BWC, GLL, GGA, MWV, VTG, VHW, MTW, XTE, MDA, HDT, HDG
 RMA*, RMB*, RMC*, BWC*, GLL*, GGA*, MWV*, VTG*, VHW*, MTW*, XTE*, MDA*, HDT*, DBT, DPT, MTW**, VHW**, TLL*, HDG*
 *: GPS sensor required;
 **: Speed/temperature sensor is required.

ENVIRONMENT

Temperature -15°C to +50°C
 Waterproofing IEC IP55

POWER SUPPLY 12-24 VDC: 1.0-0.5 A

EQUIPMENT LIST

Standard
 1. Display Unit FCV-585 1 unit
 2. Installation Materials and Standard Spare Parts 1 set

Option
 1. Speed/Temperature Sensor
 ST-02MSB (Thru-hull, bronze), ST-02PSB (Thru-hull, plastic),
 T-02MTB (Transom, bronze), T-02MSB (Thru-hull, bronze),
 T-03MSB (Thru-hull, bronze)
 2. Connector Kit for Connection of Speed & Temperature Sensor
 or Temperature Sensor
 3. Matching Box MB-1100 (For 1kW output with some transducers)

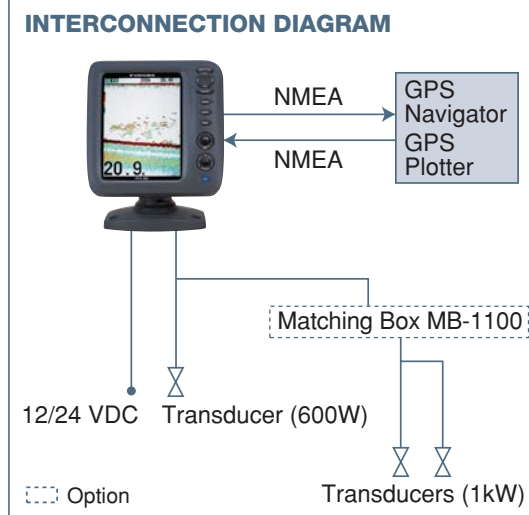
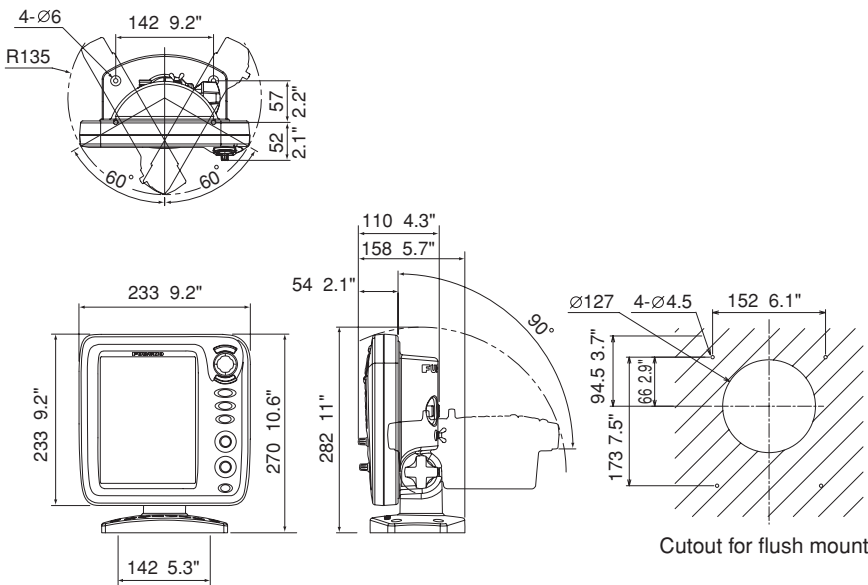
Transducers (Specify when ordering)

600 W
 520-5PSD (Plastic thru-hull), 520-5MSD (Bronze thru-hull),
 525-5PWD (Plastic transom),
 525ST-MSD (Bronze thru-hull with a speed/temp sensor),
 525ST-PWD (Plastic transom with a speed/temp sensor)

1 kW
 50 kHz: 50B-6, 50B-6B 200kHz: 200B-5S,
 50/200 kHz dual-frequency: 50/200-1T

DISPLAY UNIT

Bracket Mount 2.5 kg 5.5 lb
 Flush Mount 2.0 kg 4.4 lb



SPECIFICATIONS SUBJECT TO CHANGE WITHOUT NOTICE

FCV-585

ECHO SOUNDER

High definition echo presentation
 utilizing FURUNO's digital filter
 technology on an 8.4"
 sunlight viewable color LCD



FURUNO U.S.A., INC.
 Camas, Washington, U.S.A.
 Phone: +1 360-834-9300
 Fax: +1 360-834-9400

FURUNO ESPAÑA S.A.
 Madrid, Spain
 Phone: +34 91-725-90-88
 Fax: +34 91-725-98-97

FURUNO SVERIGE AB
 Västra Frölunda, Sweden
 Phone: +46 31-7098940
 Fax: +46 31-497093

FURUNO DEUTSCHLAND GmbH
 Rellingen, Germany
 Phone: +49 4101 838 0
 Fax: +49 4101 838 111

FURUNO (UK) LIMITED
 Havant, Hampshire, U.K.
 Phone: +44 2392-441000
 Fax: +44 2392-484316

FURUNO DANMARK AS
 Hvidovre, Denmark
 Phone: +45 36 77 45 00
 Fax: +45 36 77 45 01

FURUNO FINLAND OY
 Espoo, Finland
 Phone: +358 9 4355 670
 Fax: +358 9 4355 6710

LLC "FURUNO EURUS"
 Petersburg, Russia
 Phone: +7 812 767 15 92
 Fax: +7 812 766 55 52

FURUNO FRANCE S.A.
 Bordeaux-Mérignac, France
 Phone: +33 5 56 13 48 00
 Fax: +33 5 56 13 48 01

FURUNO NORGE A/S
 Ålesund, Norway
 Phone: +47 70 102950
 Fax: +47 70 102951

FURUNO POLSKA Sp. z o.o.
 Gdynia, Poland
 Phone: +48 58 669 02 20
 Fax: +48 58 669 02 21

PRINTED WITH SOYINK 0709PDF Printed in Japan



The future today with FURUNO's electronics technology.
FURUNO ELECTRIC CO., LTD.

9-52 Ashihara-cho, Nishinomiya City, Japan Phone: +81 (0)798 65-2111
 Fax: +81 (0)798 65-4200, 66-4622 URL: www.furuno.co.jp

Catalogue No. E-402e

TRADE MARK REGISTERED
 MARCA REGISTRADA



FCV-585

ECHO SOUNDER

The FURUNO FCV-585 is a high performance, dual-frequency color digital echo sounder (50 and 200 kHz) with high transmission output power of 600 Watts/1 kW* through transducer selection. It has been designed with a variety of fishing and recreational boats in mind. FURUNO's 50+ years of proven marine electronics technology is incorporated into this compact, waterproof unit.

* Matching Box MB-1100 is required for 1 kW output power with some transducers.

One of the main features of the FCV-585 is the revolutionary digital filter. Our enhanced DSP (Digital Signal Processing) technology helps adjust gain, STC and output power as well as suppresses main bang (echoes just below transducer). The utilization of the DSP technology facilitates outstanding detection both in shallow and deep water. Shallow water detection is enhanced by its fast transmission rate of 3,000 times per minute in a water depth of 5 meters. This helps you identify bait pods and individual fish targets right under the boat.

There are four basic operation modes: Single-Frequency (50 or 200 kHz), Dual-Frequency, Zoom (Marker Zoom/Bottom Zoom/Bottom-Lock) and NAV data. For simplified operation, an Auto mode is also provided. There are two types of Auto Modes available: Cruising and Fishing. Each mode fully utilizes the DSP technology to obtain an echo image for each purpose.

When interfaced with a GPS sensor and speed sensor, the own ship's position and own ship's speed can be confirmed on the screen. Target Lat/Lon (TLL) of favorite fishing spots can be transferred to the interfaced GPS plotter for use on your next fishing trip.

The FCV-585 employs an 8.4" color LCD (TFT) screen for vivid display and a wide viewing angle. Its new unit design concept allows the display unit to swivel around when desktop mounted. Also, a quick release bracket makes flush mount installation quick and simple.

- ▶ Enhanced DSP (Digital Signal Processing) filter delivers comprehensive detection in both shallow and deep water
- ▶ The main bang (echo just below the transducer) is suppressed to less than 40 cm so that the fish echoes below the transducer can easily be observed
- ▶ Two types of Auto Modes available: Cruising and Fishing
- ▶ Fast pulse transmission rate (3,000 times/min) to achieve outstanding shallow water echo presentation
- ▶ Dual frequency 50/200 kHz
- ▶ High output power of 600 W/1 kW* via transducer selection
- * Matching Box MB-1100 is required for 1 kW output power with some transducers.
- ▶ TLL output for an interfaced GPS plotter display

- ▶ 8.4" sunlight viewable bright 256 color LCD with a wide viewing angle
- ▶ Echo presentation in 8/16/64 color gradation
- ▶ Customized NAV data display when interfaced with appropriate sensors
- ▶ New cosmetic design allows the display unit to swivel around when table-top mounted
- ▶ Easy to flush mount
- ▶ Easy to operate with two rotary knobs for gain control and mode selection
- ▶ Audio-visual alarms for water depth, fish echoes and water temperature



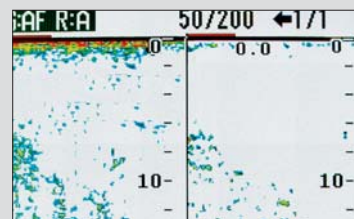
Digital Filter Technology



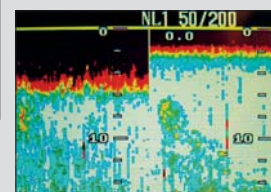
The FCV-585 features a digital filter, which delivers automatic gain control to present precise and crystal clear echo images. However, even the best digital filter won't help unless you start with a solid base, such as FURUNO's renowned fishfinder technology. The benefits provided by the FCV-585 include:

Exceptional Shallow Water Detection with surface clutter suppression

Surface clutter, mainly caused by a propeller of the craft, can be greatly suppressed by the digital filter, which facilitates exceptional shallow water detection. This enables you to spot fish targets close to the surface.



FCV-585

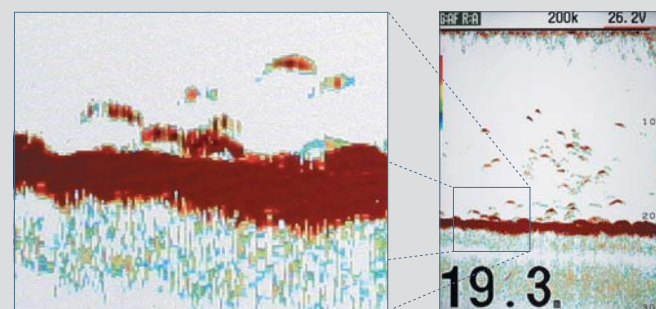


Conventional fish finder

Detailed target presentation

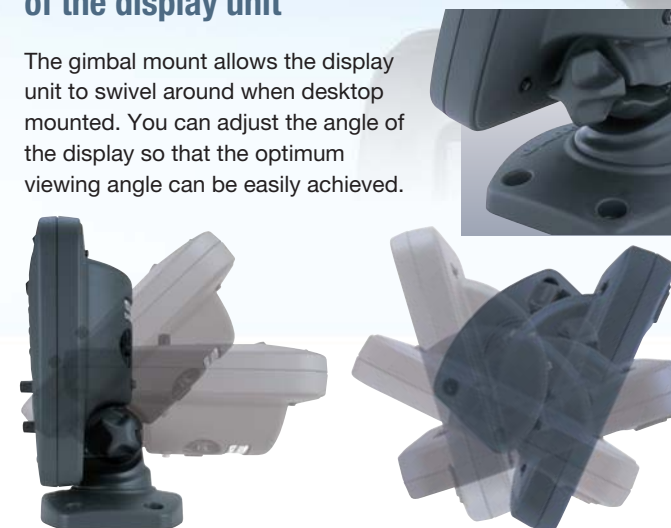
The digital filter of the FCV-585 optimizes gain to obtain highly defined images of underwater conditions. The FCV-585 clearly shows fish targets close to the seabed.

The digital filter also eliminates noise to deliver sharp and detailed echo presentation, achieving detection of fishing reefs and individual fish with absolute clarity.

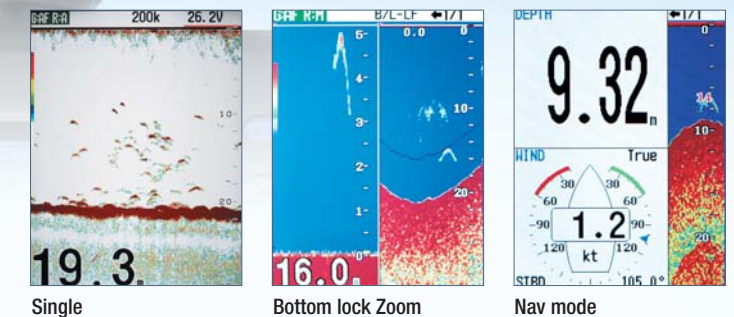


Swivel mounting bracket to adjust the angle of the display unit

The gimbal mount allows the display unit to swivel around when desktop mounted. You can adjust the angle of the display so that the optimum viewing angle can be easily achieved.



Operation Modes



Flush-mounting made simple!

When flush-mounting, all that is needed is a 5" hole-saw to make the cut-out for installation.

