



144MHz FM TRANSCEIVER

IC-2200H

SELECTABLE GREEN OR AMBER DISPLAY



DIGITAL
With optional UT-118



Stable 65W* output and new digital features

65W* of output power

A MOS-FET power amplifier provides 65W* of stable output power. A one piece, aluminum chassis helps to keep the transceiver cool and provides durable long-lasting construction. (* Depending on version.)

Optional digital unit, UT-118

The optional UT-118 provides digitally modulated and demodulated clear voice and data communication at 4.8kbps. Store up to 6 of your own callsigns, and up to 6 more from other stations. Or instead of recording a callsign, record any message of up to 20 characters. You may then make a call by sending one of your callsigns or a recorded CQ message. The digital callsign squelch allows you to choose an incoming call selected by the callsign. When connected to an external GPS receiver*, position information may be exchanged with other stations. (* NMEA 0183 output and RS-232C interface are required.)

Simple operation

The IC-2200H retains a familiar user interface to the IC-2100H. The large tuning dial provides easy access to active channels even without looking at the front panel. Secondary functions are easily recalled by holding the appropriate button.

Dynamic Memory Scan (DMS)

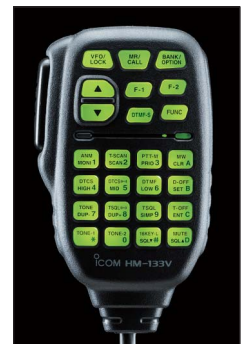
With a total of 207 alphanumeric memory channels, Icom's exclusive DMS system allows you to scan selected memory banks by simply adding and deleting bank links.

CTCSS and DTCS operation standard

The IC-2200H contains 50 CTCSS and 104x2 DTCS encode/decode plus tone scan functions. The "pocket beep" feature gives you an audible and visual indicator of an incoming call.

And more...

- 24 DTMF autodial memories
- DTMF code squelch and pager function with optional DTMF decoder, UT-108
- Weather channel with weather alert function (U.S.A. version only)
- FM narrow mode switchable (Depending on version)
- Selectable squelch delay
- Built-in 10dB squelch attenuator



HM-133V

Icom Inc.

SPECIFICATIONS

GENERAL

- Frequency range (Unit: MHz) :

Version	Transmit range	Receiver range
U.S.A.	144-148	118-174*1
Europe	144-146	118-174*2
Europe-1	144-146	144-146
Taiwan	144-146	144-146
Korea	144-146	144-146
Export	136-174*1	118-174*1

*1 Guaranteed range 144-148MHz

*2 Guaranteed range 144-146MHz

- Mode : FM, AM (Rx only)
- No. of memory channels : 207 (including 6 scan edges, and 1 call channel)
- Operating Temp. range : -10°C to +60°C; +14°F to +140°F
- Frequency stability : ±10ppm (-10°C to +60°C)
- Power supply requirements: 13.8V DC ±15%
- Current drain (at 13.8V DC) :

Tx	High (65W)	15A
Rx	Max. audio	1.0A
	Standby	0.8A
- Antenna impedance : 50Ω (SO-239)
- Weight (approx.) : 1.25kg; 2.75lb

TRANSMITTER

- Output power (* approx.) : 65, 25*, 10*, 5*W selectable
 Korea version 50, 25*, 10*, 5*W selectable
 Taiwan version 24, 10*, 5*W selectable
- Maximum frequency deviation (wide/narrow) : ±5.0/±2.5kHz
- Spurious emissions : -70dBc typical.
- Microphone connector : 8-pin modular (600Ω)

RECEIVER

- Receive system : Double-conversion superheterodyne
- Intermediate frequencies : 1st 21.7MHz
2nd 450kHz
- Sensitivity (at 12dB SINAD) : 0.133μV typical
- Squelch sensitivity : 0.100μV typical (threshold)
- Selectivity :

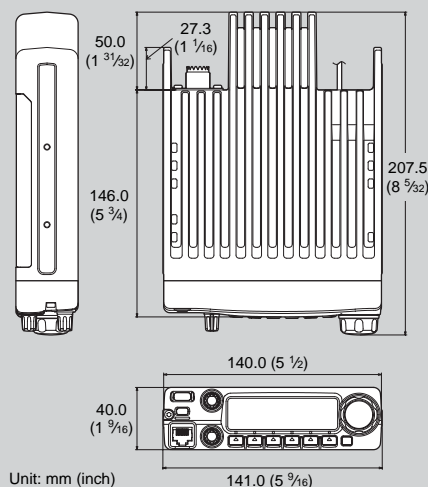
Wide	More than 6kHz at -6dB Less than 14kHz at -60dB
Narrow	More than 3kHz at -6dB Less than 9kHz at -55dB
- Spurious and image rejection : More than 60dB
- Audio output power : More than 2.4W at 10% distortion with an 8Ω load (at 13.8V DC)
- External speaker connector: 3-conductor 3.5 (d) mm (1/8")/8Ω

Applicable U.S. Military Specifications

Icom makes rugged products that have been tested to and passed the following MIL-STD requirements and strict environmental standards.

Standard	MIL 810 C		MIL 810 D		MIL 810 E		MIL 810 F	
	Method	Proc.	Method	Proc.	Method	Proc.	Method	Proc.
Low Pressure	500.1	I	500.2	I, II	500.3	I, II	500.4	I, II
High Temp.	501.1	I	501.2	I, II	501.3	I, II	501.4	I, II
Low Temp.	502.1	I	502.2	I, II	502.3	I, II	502.4	I, II
Temp. Shock	503.1	I	503.2	I	503.3	I	503.4	I
Solar Radiation	505.1	I	505.2	I	505.3	I	505.4	I
Humidity	507.1	I, II	507.2	II, III	507.3	II, III	507.4	-
Salt Fog	509.1	I	509.2	I	509.3	I	509.4	-
Dust Blowing	510.1	I	510.2	I	510.3	I	510.4	I
Vibration	514.2	VIII, X	514.3	I	514.4	I	514.5	I
Shock	516.2	I, II, V	516.3	I, IV	516.4	I, IV	516.5	I, IV

DIMENSIONS



Unit: mm (inch)

Supplied accessories (* Depending on version)

- Remote control microphone, HM-133V*
- Microphone hanger* ● Mounting bracket kit
- DC power cable, OPC-1132A ● Spare fuse

All stated specifications are subject to change without notice or obligation.

OPTIONS

■ MICROPHONE ACCESSORIES

- HM-133V REMOTE CONTROL MICROPHONE**
Remote control microphone with keypad backlighting. Same as supplied.
- HM-154 HAND MICROPHONE**
- HM-154T DTMF MICROPHONE**
DTMF microphone with keypad backlighting.
- OPC-440 MIC EXTENSION CABLE:** 5m (16.4ft)
- OPC-589 MIC ADAPTER CABLE**
Allows you to connect a regular 8-pin microphone.

■ EXTERNAL SPEAKER

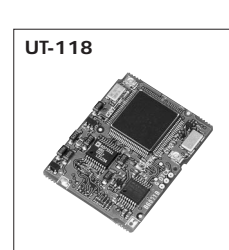
- SP-10 EXTERNAL SPEAKER**
- OPC-441 SPEAKER EXTENSION CABLE:** 5.0m (16.4ft)

■ INTERNAL UNITS

- UT-108 DTMF DECODER UNIT**
Provides DTMF decode capability with code squelch and pager operation.
- UT-118 DIGITAL UNIT**
Provides digital voice and data capability at 4.8kbps (Voice + Data).

■ OTHER ACCESSORIES

- OPC-1132A/OPC-347 DC POWER CABLES**
OPC-1132A: 3m (9.8ft); OPC-347: 7m (22.9ft)
- CLONING CABLES AND SOFTWARE**
- CS-2200H CLONING SOFTWARE**
+ **OPC-478 CLONING CABLE**
For quick and easy programming of memories, etc.
- OPC-474 CLONING CABLE** (between transceivers)



Icom Inc.

1-1-32, Kami-minami, Hirano-ku, Osaka 547-0003, Japan Phone: +81 (06) 6793 5302 Fax: +81 (06) 6793 0013 URL: <http://www.icom.co.jp/world/index.html>

Count on us!

Icom America Inc.

2380 116th Avenue NE,
Bellevue, WA 98004, U.S.A.
Phone : +1 (425) 454-8155
Fax : +1 (425) 454-1509
E-mail : sales@icomamerica.com
URL : <http://www.icomamerica.com>

Icom New Zealand

146A Harris Road, East Tamaki,
Auckland, New Zealand
Phone : +64 (09) 274 4062
Fax : +64 (09) 274 4708
E-mail : inquiries@icom.co.nz
URL : <http://www.icom.co.nz>

Icom (UK) Ltd.

Unit 9, Sea St., Herne Bay,
Kent, CT6 8LD, U.K.
Phone : +44 (0)1227 741741
Fax : +44 (0)1227 741742
E-mail : info@icomuk.co.uk
URL : <http://www.icomuk.co.uk>

Asia Icom Inc.

6F No. 68, Sec. 1 Cheng-Teh Road,
Taipei, Taiwan, R.O.C.
Phone : +886 (02) 2559 1899
Fax : +886 (02) 2559 1874
E-mail : sales@asia-icom.com
URL : <http://www.asia-icom.com>

Your local distributor/dealer:

Icom Canada

Glenwood Centre #150-6165 Highway 17,
Delta, B.C., V4K 5B8, Canada
Phone : +1 (604) 952-4266
Fax : +1 (604) 952-0090
E-mail : info@icomcanada.com
URL : <http://www.icomcanada.com>

Icom (Europe) GmbH

Communication Equipment
Himmelgeister Str. 100,
D-40225 Düsseldorf, Germany
Phone : +49 (0211) 346047
Fax : +49 (0211) 333639
E-mail : info@icom-europe.com
URL : <http://www.icomeurope.com>

Icom France s.a.s.

Zac de la Plaine,
1 Rue Brindejone des Moulinais, BP 45804,
31505 Toulouse Cedex 5, France
Phone : +33 (5) 61 36 03 03
Fax : +33 (5) 61 36 03 00
E-mail : icom@icom-france.com
URL : <http://www.icom-france.com>

Beijing Icom Ltd.

10C07, Long Silver Mansion, No.88, Yong Ding
Road, Haidian District, Beijing, 100039, China
Phone : +86 (010) 5889 5391/5392/5393
Fax : +86 (010) 5889 5395
E-mail : bjicom@bjicom.com
URL : <http://www.bjicom.com>

Icom (Australia) Pty. Ltd.

Unit 1 / 103 Garden Road,
Clayton, VIC 3168 Australia
Phone : +61 (03) 9549 7500
Fax : +61 (03) 9549 7505
E-mail : sales@icom.net.au
URL : <http://www.icom.net.au>

Icom Spain S.L.

Ctra. Rubi, No. 88 "Edificio Can Castanyer"
08190, Sant Cugat del Valles, Barcelona, Spain
Phone : +34 (93) 590 26 70
Fax : +34 (93) 589 04 46
E-mail : icom@icomspain.com
URL : <http://www.icomspain.com>

Icom Polska

Sopot, 3 maja 54, Poland
Phone : +48 (58) 550 7135
Fax : +48 (58) 551 0484
E-mail : icompolska@icompolska.com.pl
URL : <http://www.icompolska.com.pl>